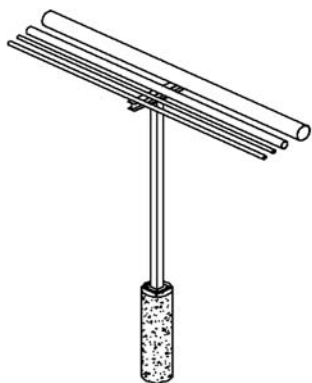
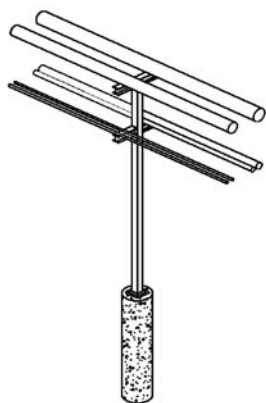


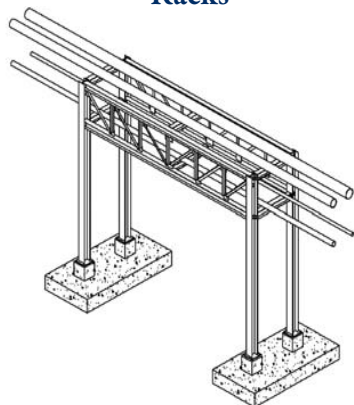
Pipe Racks



T-Support Racks



Double T-Support Racks



Bent Racks

Features

- Maximum pipe diameter of 12" without insulation.
- Live load of 30 PSF + 10 PSF ice per level.
- Wind load per ASCE7 90 – 120 mph.
- Seismic load per ASCE7.
Ground acceleration: Effective peak acceleration $A_a = .12$. Effective peak velocity-related acceleration $A_v = .11$.

Racks are not designed for longitudinal or lateral loads due to piping.

T-Support Racks

- Single or double level design.
- Clear heights from 10' to 20'.
- Support spacing at 10', 15', or 20' per load and site requirements.
- Base plate mounting allows for easy installation.
- Standard cross arms are 4' long.
- Can be customized to meet your requirements.

Bent Racks

- Single, double, or triple level design adds flexibility and expendability to your site.
- Clear heights from 10' to 20'.
- Spacing at 20', 25', 30', 40', or 50' per load and site requirements.
- Base plate mounting allows for easy installation.
- Bent inside dimension of 5'-4", 7'-4", or 9'-4".
- Can be customized to meet your requirements.



Carbis utilizes either spread footings or pile foundations and can provide complete requirements and drawings. All foundations require a minimum soil bearing pressure of 2000 PSF and have a minimum 2' of cover unless otherwise specified.